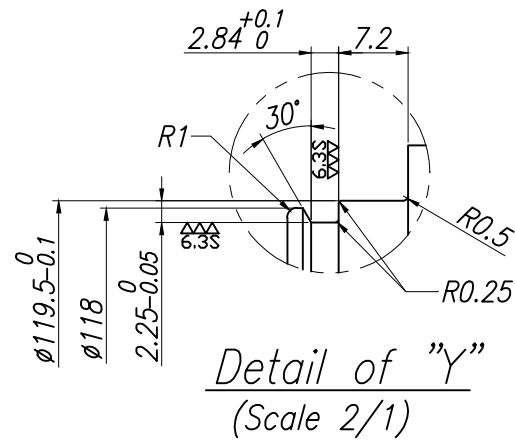
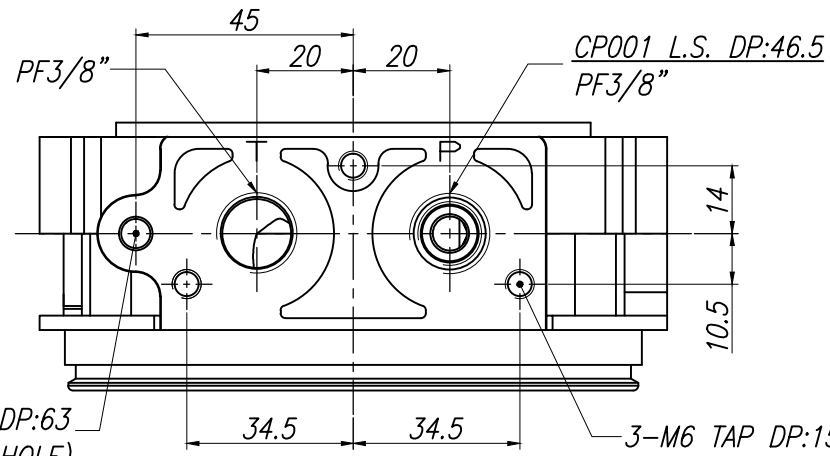
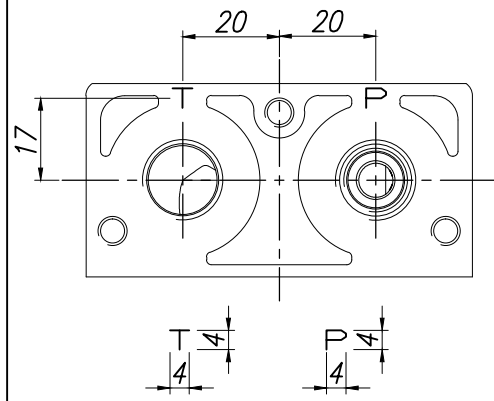
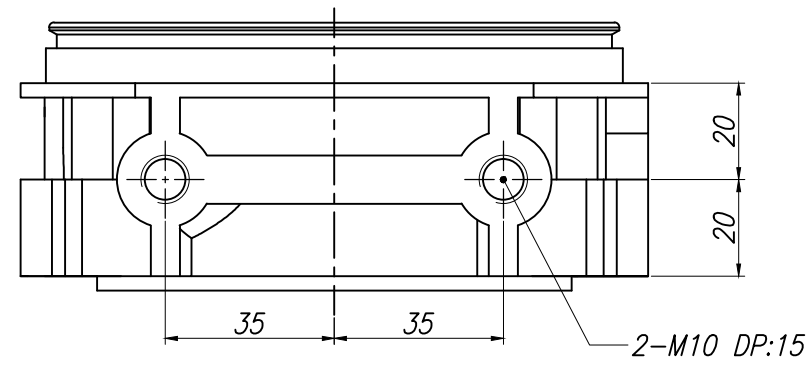
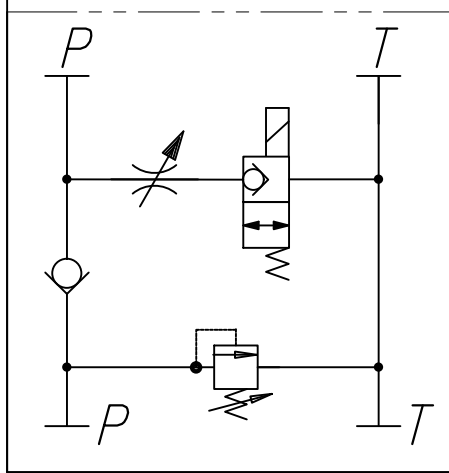
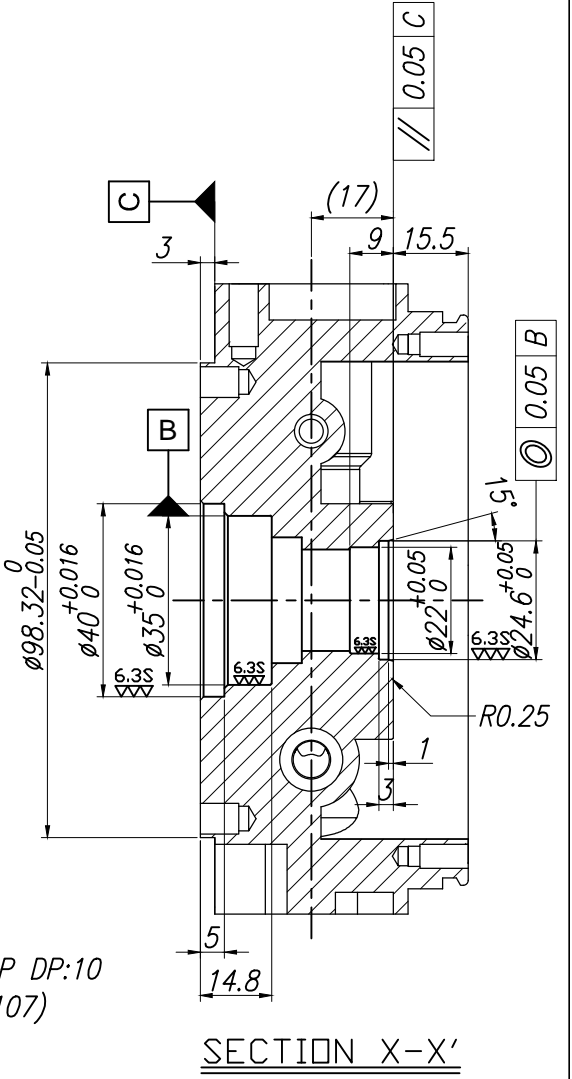
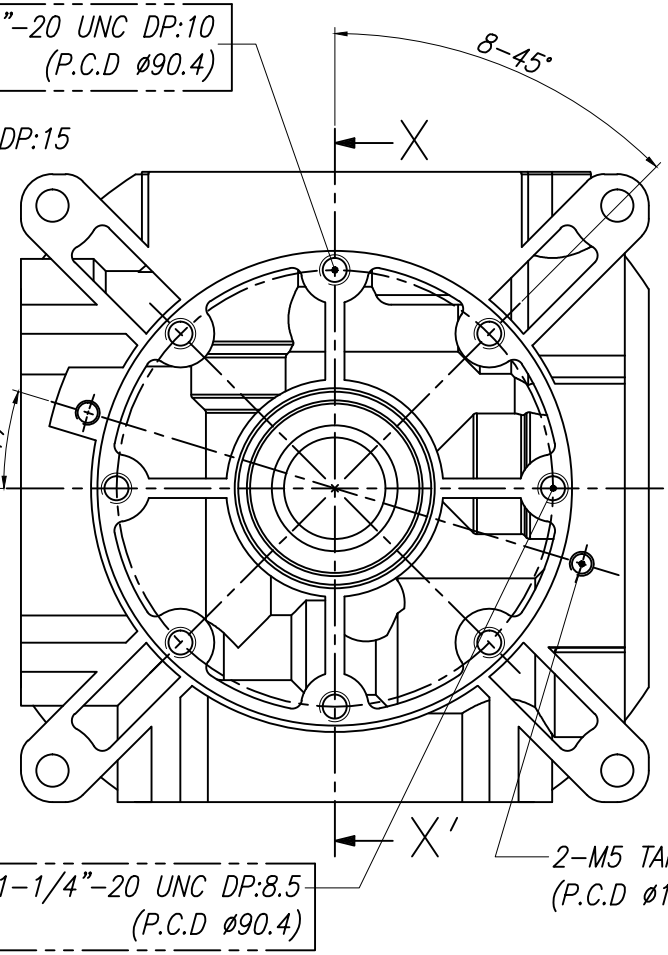
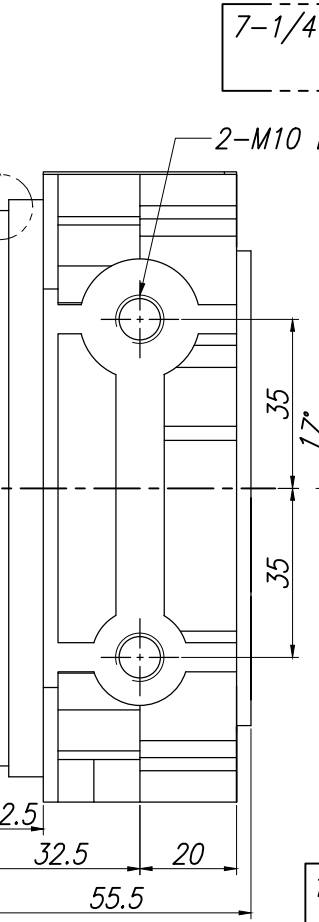
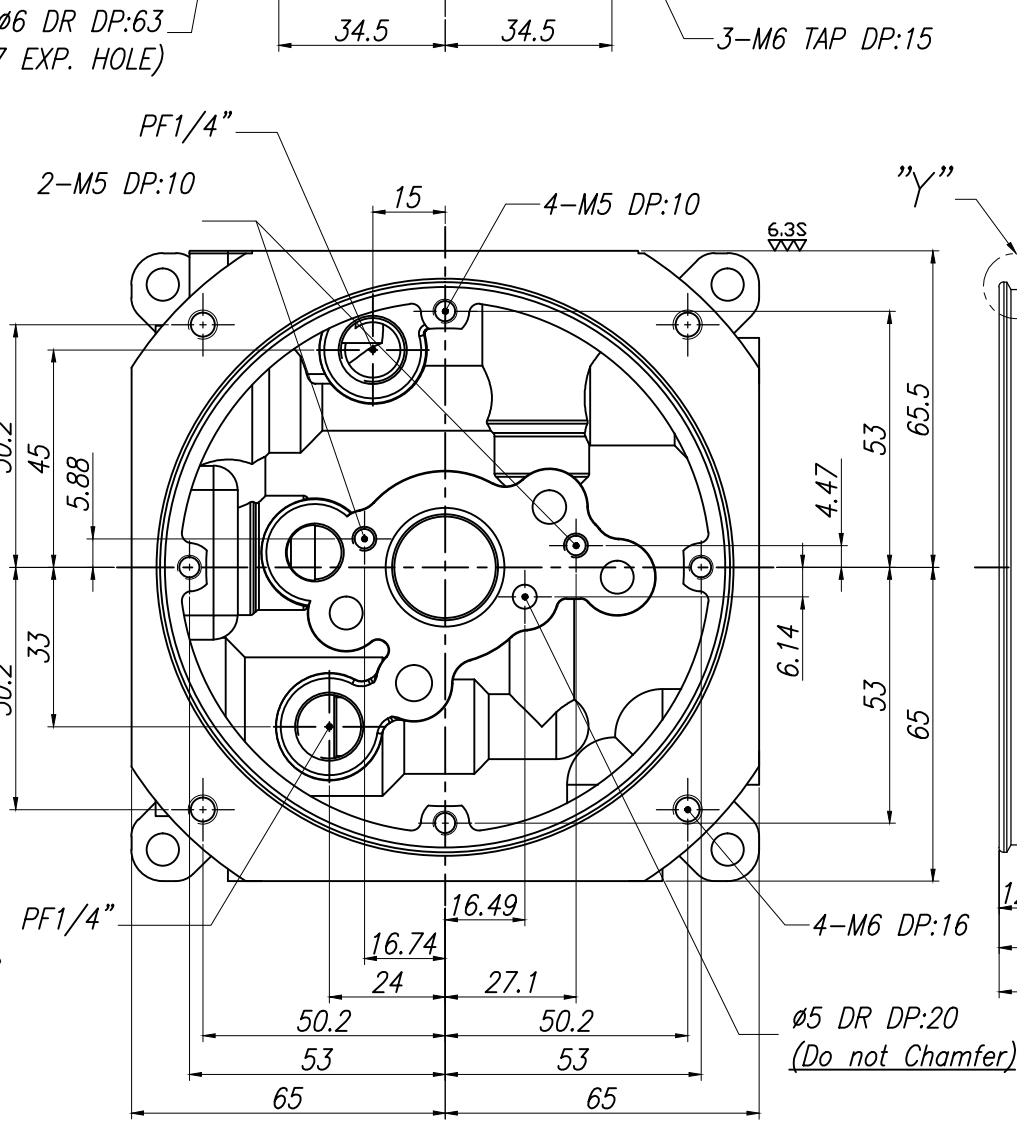
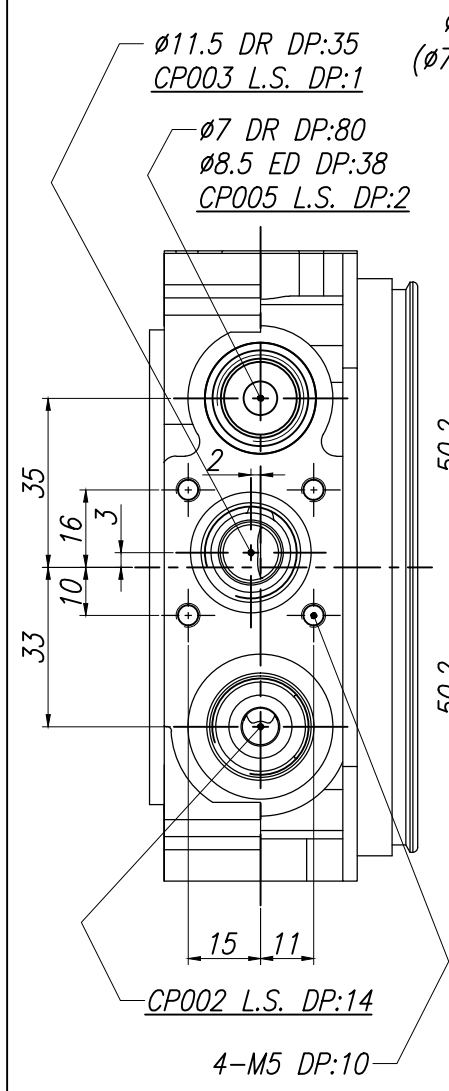


P & T Mark Detail



| NO. | DATE | NAME | CHANGES |
|-----|------|------|---------|
| △ | | | |
| △ | | | |
| △ | | | |



| MATERIAL | HEAT TREAT | Q'TY | SCALE | DESCRIPTION | |
|----------|------------|------|----------------------|-------------|------|
| ALDC12 | - | EA | 1/1 | | |
| | | | DO NOT SCALE DRAWING | APP. | DATE |
| | | | | CH. | DATE |
| | | | | CH. | DATE |
| | | | | DR. | DATE |
| | | | | DRAWING NO. | R0 |
| | | | | | A2 |